

Product availability : Non-Stock - Not normally stocked in distribution facility



Price\*\* : 7,533.00 USD



### Main

Product	Single Throw Safety Switch
Current Rating	600 A
Certifications	UL listed file E2875
Enclosure Rating	NEMA 3R galvanized steel
Factory Installed Neutral	None
Disconnect Type	Non-fusible disconnect
Short Circuit Current Rating	200 kA maximum
Mounting Type	Surface
Number of Poles	2
Electrical Connection	Lugs
Duty Rating	Heavy duty
Voltage Rating	600 V AC/DC
Wire Size	AWG 3/0...500 kcmil copper or aluminium

### Complementary

Width	708.15 mm (27.88 in)
Height	1277.87 mm (50.31 in)
Depth	257.30 mm (10.13 in)
Tightening torque	42.37 N.m (375 lbf.in) AWG 3/0...500 kcmil)

### Ordering and shipping details

Category	00054 - H&HU SW,NEMA3R,400-1200A
Discount Schedule	DE1
GTIN	00785901259336
Package weight(Lbs)	74.84 kg (165 lb(US))
Returnability	No
Country of origin	MX

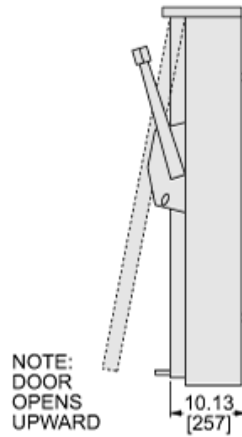
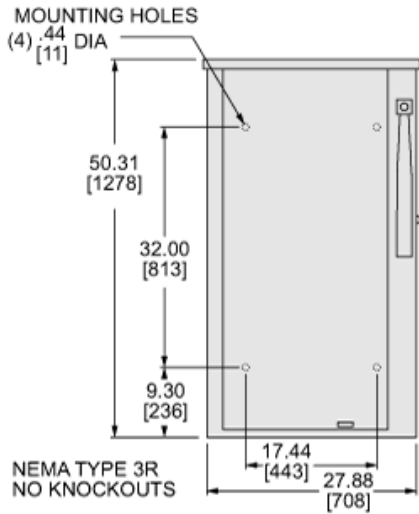
## Offer Sustainability

Sustainable offer status	Green Premium product
REACH Regulation	<a href="#">REACH Declaration</a>
REACH free of SVHC	Yes
EU RoHS Directive	Compliant <a href="#">EU RoHS Declaration</a>
Mercury free	Yes
RoHS exemption information	<a href="#">Yes</a>
China RoHS Regulation	<a href="#">China RoHS declaration</a> Product out of China RoHS scope. Substance declaration for your information.
Environmental Disclosure	<a href="#">Product Environmental Profile</a>
Circularity Profile	No need of specific recycling operations

## Contractual warranty

Warranty	18 months
----------	-----------

Approximate Dimensions



in.  
[mm]

